

Festoon Systems for Wire Ropes

Series 0210 | 0215



CONDUCTIX
wampfler

Contents

Ropes and Accessories Series 0210 and 0215

System Components for Wire Ropes with Diameter 6-12 mm	2
Wire Ropes	2
Straining Buckles	3
Strainer Brackets	3

Cable Trolleys for Flat Cables Series 0210

Festoon Systems for Flat Cables on Rope with Diameter 6 mm	4
Plastic Cable Trolleys with Load Capacity up to 6 kg	4
Cable Support	5
End Clamp	5
Towing Trolley with Rope Guidance	5

Cable Trolleys for Flat Cables Series 0215

Festoon Systems for Flat Cables on Ropes with Diameter 8-12 mm	6
Plastic Cable Trolley with Load Capacity up to 10 kg	6
Plastic Cable Trolley with Load Capacity up to 20 kg	6
End Clamp	7
Towing Trolley with Rope Guidance	7
Towing Arm	7

Cable Trolleys for Round Cables and Hoses Series 0210

Festoon Systems for Round Cables on Rope with Diameter 6 mm	8
Plastic Cable Trolley with Hook or Eye with Load Capacity up to 3 kg	8
Plastic Cable Trolley with Hook or Eye with Load Capacity up to 6 kg	8
Plastic Cable Trolley with Ball Joint with Load Capacity up to 6 kg	9
End Clamp	9
Cable Clips for Trolleys with Hook or Ball Joint	9
Cable Support and Towing Arm	9
Towing Trolley with Rope Guidance	9

Cable Trolleys for Round Cables and Hoses Series 0215

Festoon Systems for Round Cables on Ropes with Diameter 8-12 mm	10
Plastic Cable Trolley with Load Capacity up to 10 kg	10
Plastic Cable Trolley with Load Capacity up to 20 kg	10
End Clamp	11
Towing Trolley with Rope Guidance	11
Supplements to the Series on Inquiry	11

Helpful Hints

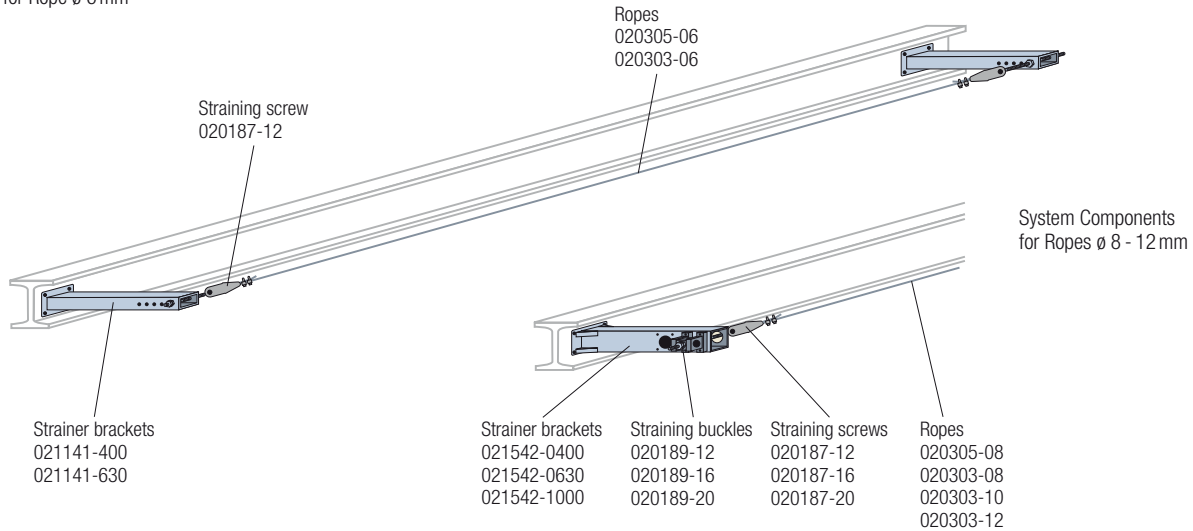
Calculation of Tensile Force	12
Determination of Rope Load and Selection of Required Rope	12

Ropes and Accessories

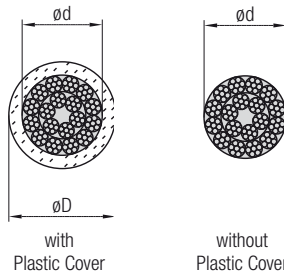
Series 0210 and 0215

System Components for Wire Ropes with Diameter 6-12 mm

System Components
for Rope \varnothing 6 mm



Wire Ropes

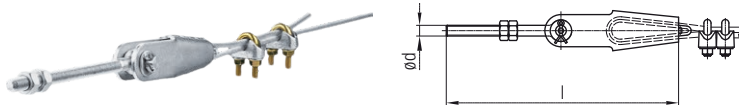


Material
• Rope: galvanized steel
• Cover: plastic

Note
Plastic covered ropes 020305 have the best performance.

Order No.	Type	$\varnothing d$ [mm]	$\varnothing D$ [mm]	Min. Brak. Strength F_{Br} [kN]	Perm. Tensile Strength F_{zul} [kN]	for Straining Screw
020305-06	with plastic cover	4	6	14.5	3.6	020187-12
020303-06	without plastic cover	6	-	20.3	5.1	020187-12
020305-08	with plastic cover	6	8	20.3	5.1	020187-12
020303-08	without plastic cover	8	-	37.2	9.3	020187-12
020303-10		10	-	58.1	14.5	020187-16
020303-12		12	-	81.2	20.3	020187-20

Straining Screws



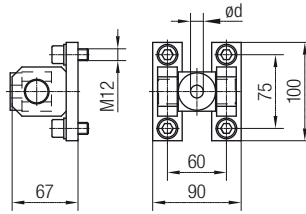
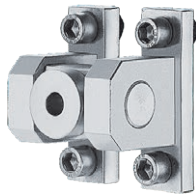
Order No.	$\varnothing d$	l [mm]	for Rope \varnothing [mm]
020187-12	M12	330	6 - 8
020187-16	M16	424	10
020187-20	M20	458	12

Material: galvanized steel

Ropes and Accessories

Series 0210 and 0215

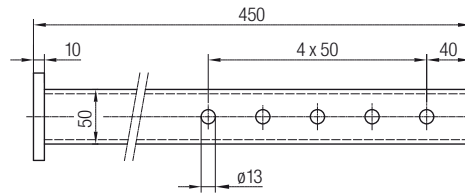
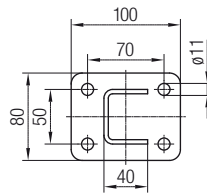
Straining Buckles



Order No.	$\varnothing d$ [mm]	suitable Strainer Bracket
020189-12	13	021542
020189-16	17	
020189-20	21	

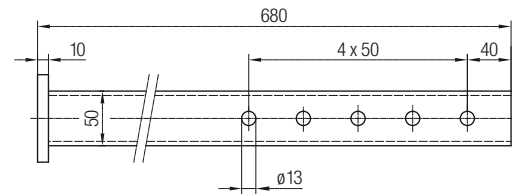
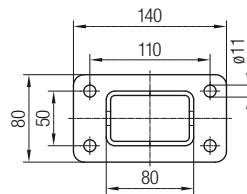
Material: galvanized steel
Application: for flexible reception of the straining screw

Strainer Brackets



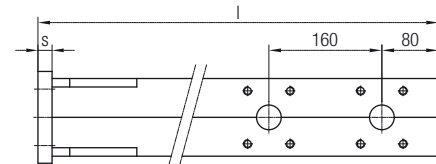
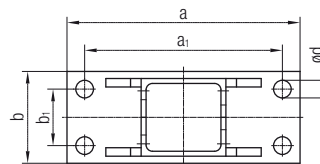
Order No.: 021141-400
Material: galvanized steel

Suitable straining screw 020187-12



Order No.: 021141-630
Material: galvanized steel

Suitable straining screw 020187-12



Order No.	l [mm]	a [mm]	b [mm]	a ₁ [mm]	b ₁ [mm]	$\varnothing d$ [mm]	s [mm]
021542-0400	495	290	120	250	80	21	15
021542-0630	730	330	130	280	80	25	20
021542-1000	1105	390	150	330	90	31	25

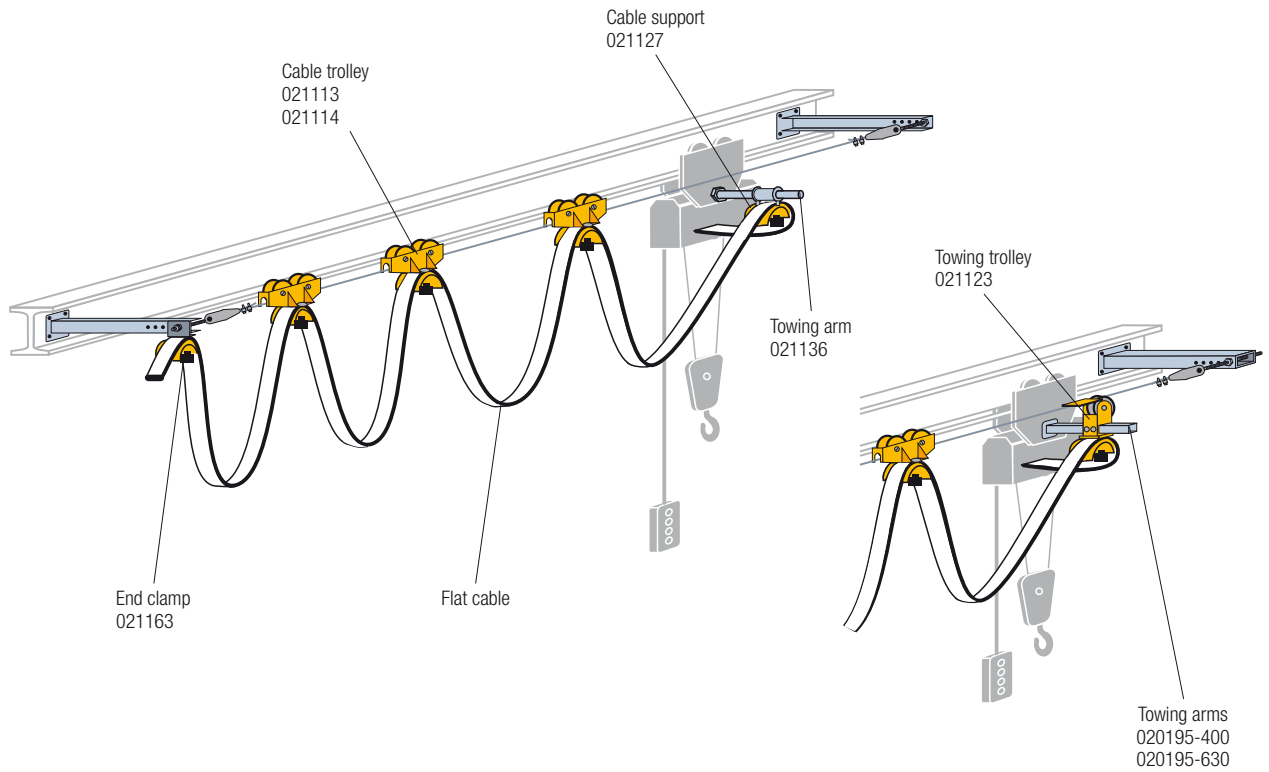
Material: galvanized steel

Notes

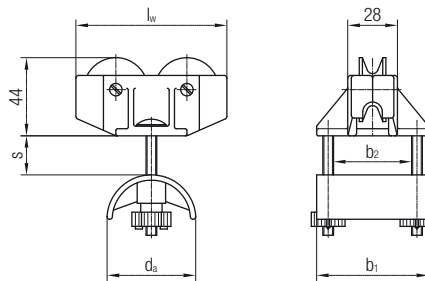
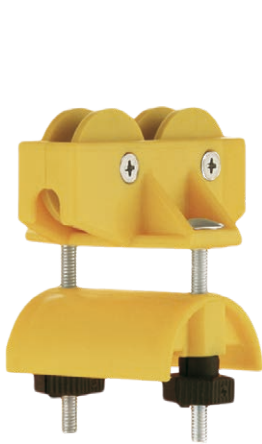
- To be ordered only in connection with straining buckle 020189
- This strainer bracket is also used with two ropes running in parallel
Distance between ropes = 160 mm

Cable Trolleys for Flat Cables Series 0210

Festoon Systems for Flat Cables on Rope with Diameter 6 mm



Plastic Cable Trolleys with Load Capacity up to 6 kg

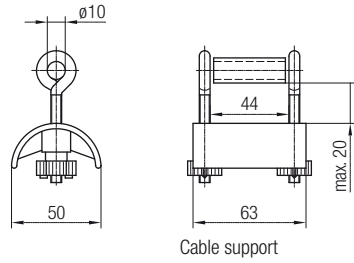


Cable Trolley Order No.	d_a [mm]	l_w [mm]	b_1 [mm]	b_2 [mm]	s [mm]
021113	50	085	63	44	17
021114	80	125	80	54	22

- Type of roller:
 - roller: plastic
 - axle: stainless steel
- Load capacity: 6 kg

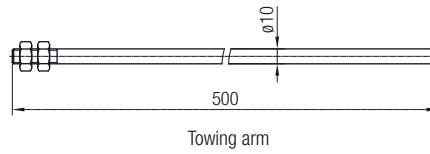
Flat Cable Trolleys Series 0210

Cable Support



Order No.: 021127

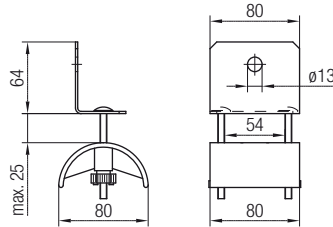
Cable support



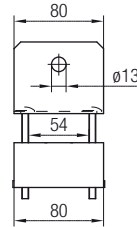
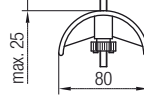
Towing Arm
Order No.: 021136
Material: galvanized steel

Towing arm

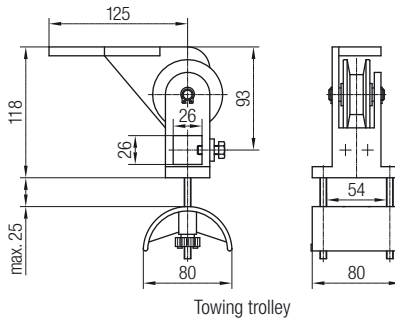
End Clamp



Order No. 021163

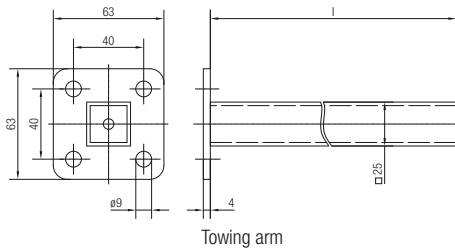


Towing Trolley with Rope Guidance



Order No.: 021123

Towing trolley

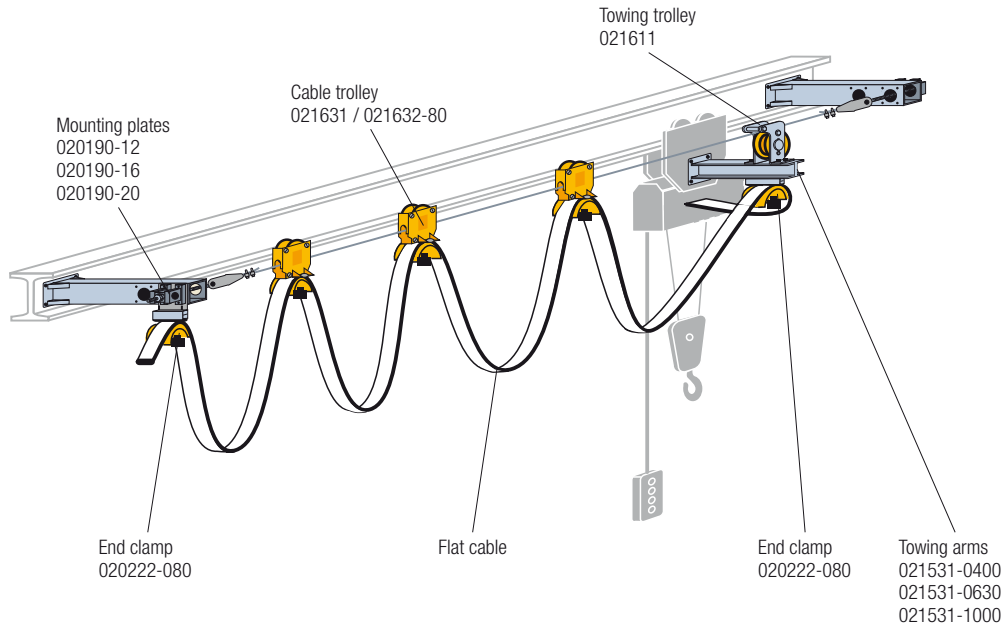


Towing arm

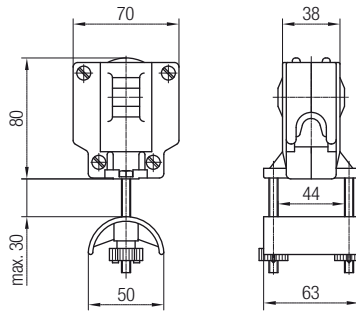
Towing Arm Order No.	l [mm]	Material
020195-400	400	galvanized steel
020195-630	630	

Cable Trolleys for Flat Cables Series 0215

Festoon Systems for Flat Cables on Ropes with Diameter 8-12 mm

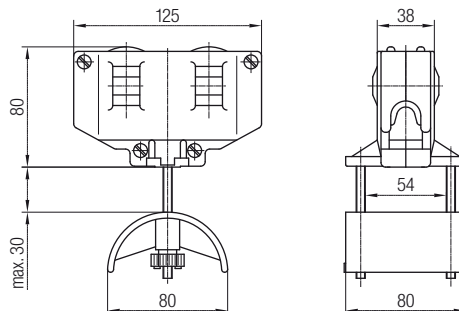


Plastic Cable Trolley with Load Capacity up to 10 kg



- Order No. 021631
- Type of roller:
 - roller: plastic
 - axle: stainless steel
 - Load capacity: 10 kg

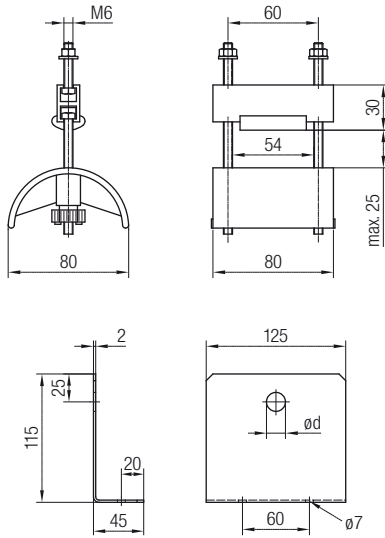
Plastic Cable Trolley with Load Capacity up to 20 kg



- Order No. 021632-80
- Type of roller:
 - roller: plastic
 - axle: stainless steel
 - Load capacity: 20 kg

Cable Trolleys for Flat Cables Series 0215

End Clamp

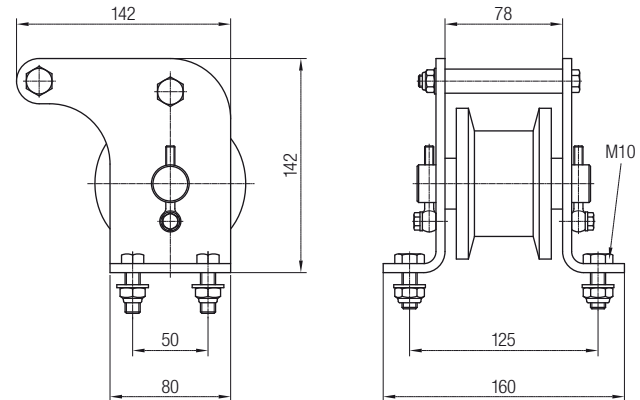
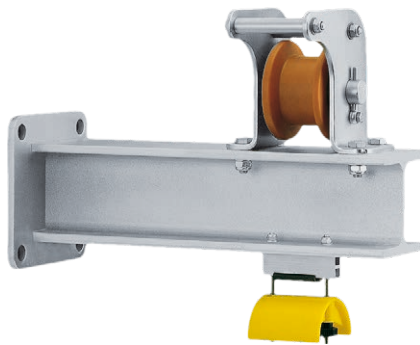


Order No. 020222-080

Note
Mounting under plate 020190
and towing arm 021531

Mounting Plate Order No.	ϕd [mm]	Suitable Straining Screw
020190-12	13	020187-12
020190-16	17	020187-16
020190-20	21	020187-20

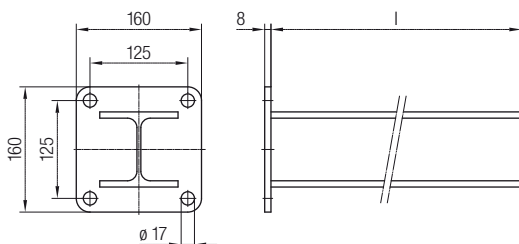
Towing Trolley with Rope Guidance



Order No. 021611

- Casing:: galvanized steel
- Type of roller:
 - roller: plastic, with steel ball bearing
 - axle: galvanized steel

Towing Arm

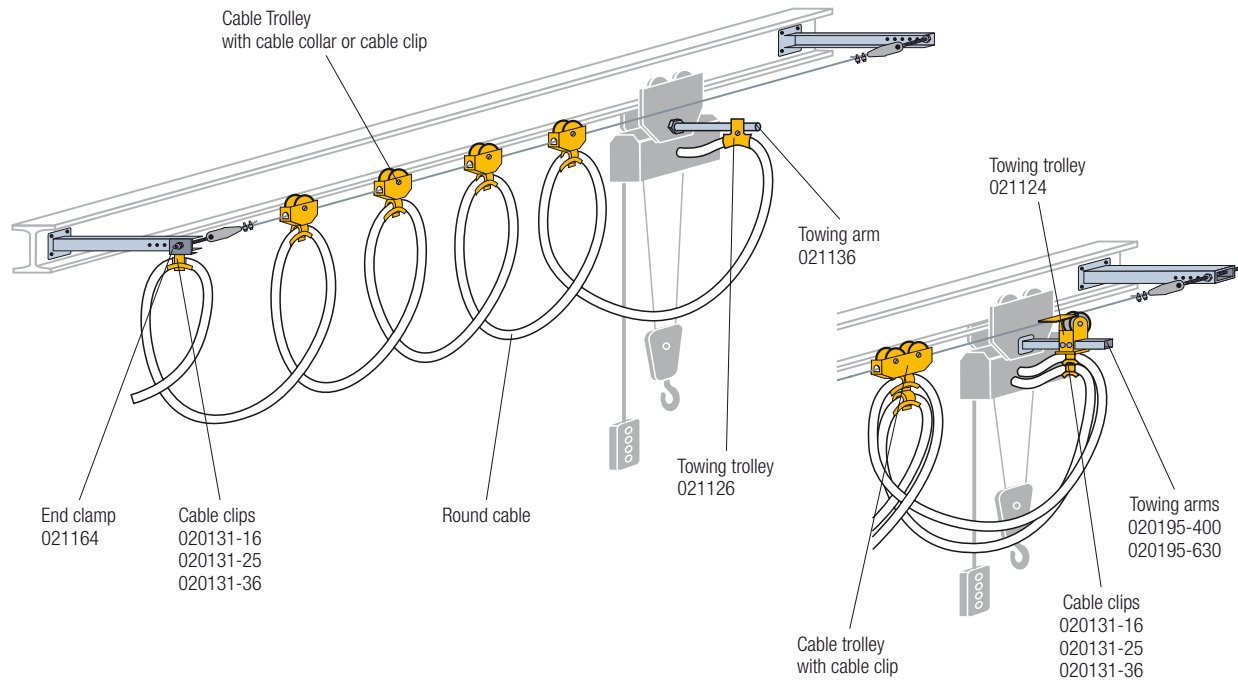


Order No.	l [mm]	Material
021531-0400	400	galvanized steel
021531-0630	630	
021531-1000	1000	

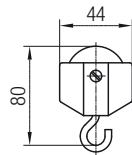
Cable Trolleys for Round Cables and Hoses

Series 0210

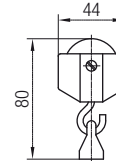
Festoon Systems for Round Cables on Rope with Diameter 6 mm



Plastic Cable Trolley with Hook or Eye with Load Capacity up to 3 kg



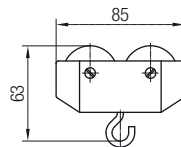
Trolley with Hook
Order No. 021111
Load capacity: 3 kg



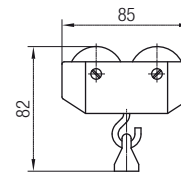
Trolley with Eye
Order No. 021115
Load capacity: 3 kg

Note
Corresponding
cable clip 020131
see page 11

Plastic Cable Trolley with Hook or Eye with Load Capacity up to 6 kg



Trolley with Hook
Order No. 021112
Load capacity: 6 kg



Trolley with Eye
Order No. 021116
Load capacity: 6 kg

Note
Corresponding
cable clip 020131
see page 11

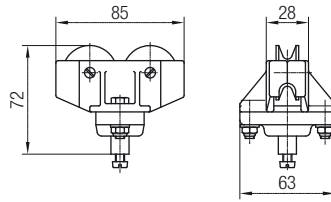
Cable Collars for Trolleys with Hook



Order No.	Cable Diameter [mm]
020111-10	10
020111-12,5	12,5
020111-14	14
020111-16	16
020111-18	18
020111-20	20

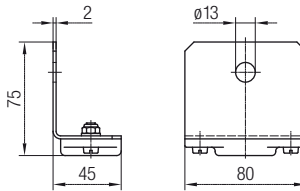
Round Cable Trolleys and Hoses Series 0210

Plastic Cable Trolley with Ball Joint with Load Capacity up to 6 kg



Order No. 021117
Load capacity: 6 kg

End Clamp



Order No. 021164

Note
Suitable cable clip 020131

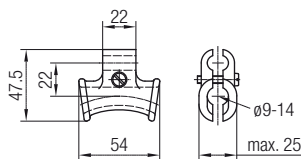
Cable Clips for Trolleys with Hook or Ball Joint



Order No.	Cable Diameter [mm]
020131-16	10 - 16
020131-25	17 - 25
020131-36	26 - 36

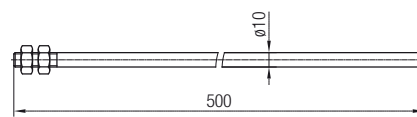
Note
The cable clips can be combined in multiple variations.

Cable Support and Towing Arm



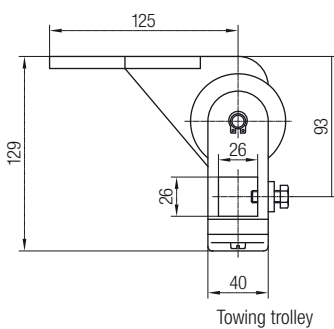
Order No. 021126

Note
Only for one cable.
Mounting of additional clips not possible.

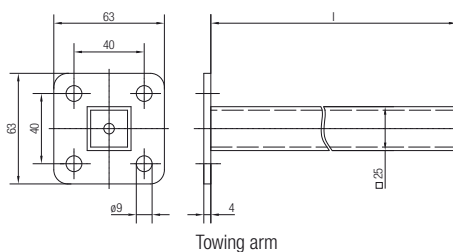
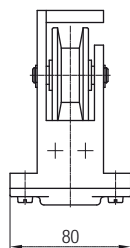


Towing Arm
Order No. 021136
Material: galvanized steel

Towing Trolley with Rope Guidance



Towing trolley



Towing arm

Towing Arm Order No.	l [mm]
020195-400	400
020195-630	630

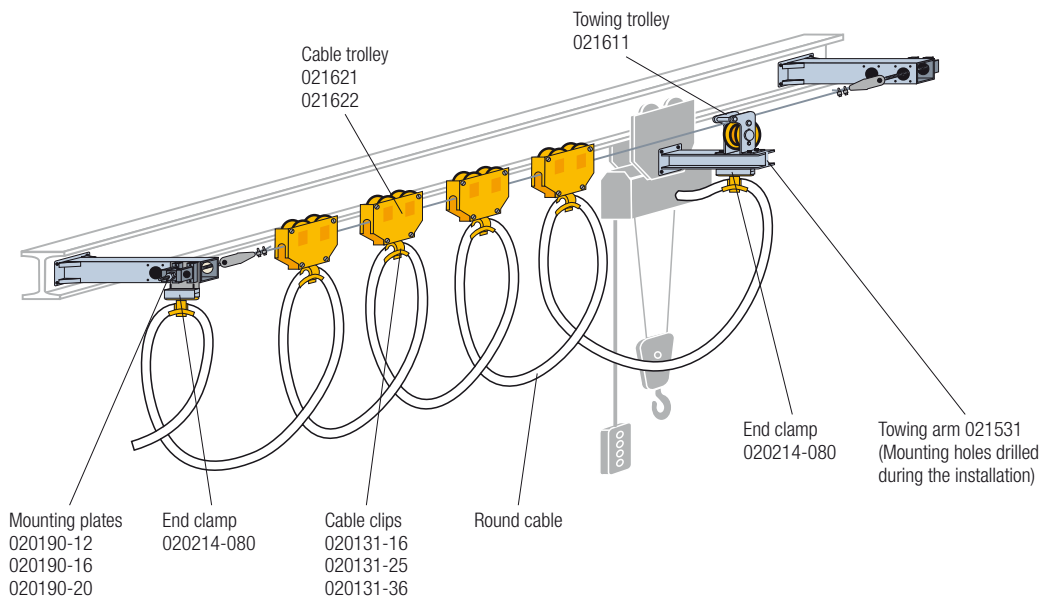
Order No.: 021124

Note
Suitable cable clip 020131

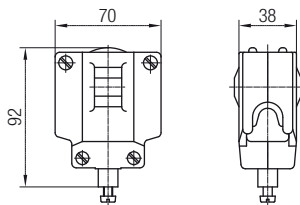
Cable Trolleys for Round Cables and Hoses

Series 0215

Festoon Systems for Round Cables on Ropes with Diameter 8-12 mm



Plastic Cable Trolley with Load Capacity up to 10 kg

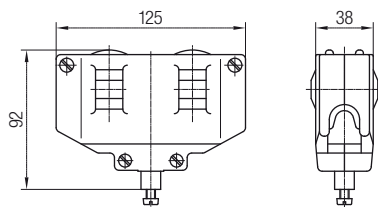


Order No. 021621

- Type of roller:
 - roller: plastic
 - axle: stainless steel
- Load capacity: 10 kg

Suitable cable clips 020131
see page 11

Plastic Cable Trolley with Load Capacity up to 20 k



Order No. 021622

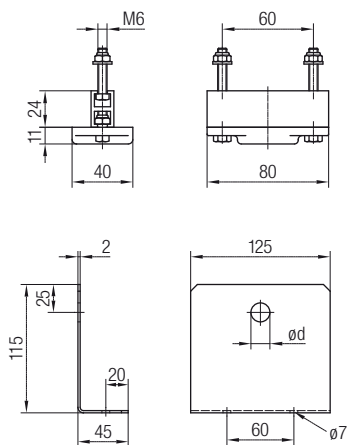
- Type of roller:
 - roller: plastic
 - axle: stainless steel
- Load capacity: 20 kg

Suitable cable clips 020131
see page 11

Round Cable Trolleys and Hoses

Series 0215

End Clamp



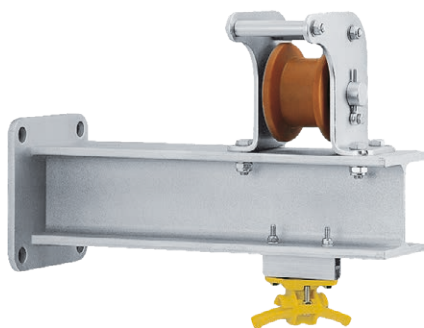
End Clamp
Order No. 020214-080

Notes

- Mounting under plate 020190 and towing arm 021531
- Suitable cable clip 020131

Mounting Plate Order No.	ø d [mm]	Suitable Straining Screw
020190-12	13	020187-12
020190-16	17	020187-16
020190-20	21	020187-20

Towing Trolley with Rope Guidance



Towing Trolley Order No. 021611
Towing Arm Order No. 021531

For more details see page 9

Supplements to the Series by Inquiry



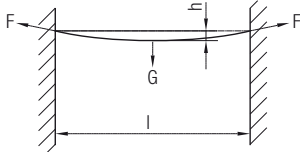
Trolley running on two ropes
Double load capacity



Ideal Control Unit Trolley
for Flat and Round Cables

Helpful Hints

Calculation of Tensile Force



The tensile force can be calculated approx. using the following formula::

$$F = \frac{\varphi \cdot G \cdot l \cdot g}{8000 \cdot h} \leq F_{\text{perm.}} \quad [\text{kN}]$$

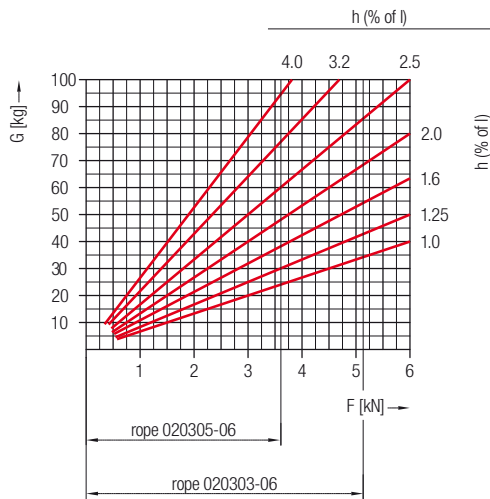
In planning a flexible cable system it is necessary to calculate the carrying capacity of the rope. Normally plastic covered steel ropes are used which are suitable for most applications.

- F [kN] = Tensile force in the rope
- G [kg] = Total load of netweight of rope plus weight of cable trolleys and cables
- l [m] = Span width of rope
- h [m] = Sag of rope
- g [m/s²] = Gravitational acceleration = 9.81
- φ = Net load factor = 1.1-1.2 to DIN 15018, section 4.1.4.1
Consideration is recommended.

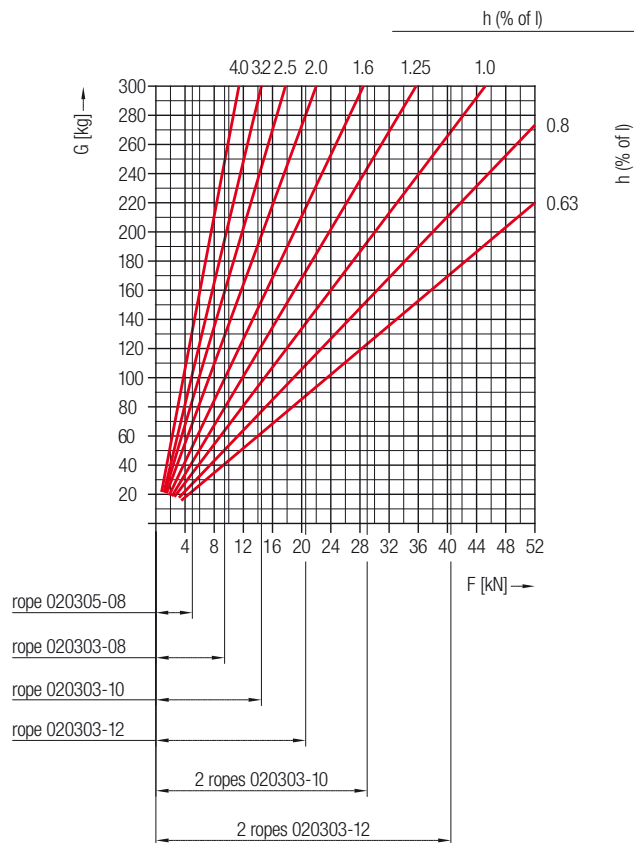
Determination of Rope Load and Selection of Required Rope

The required rope can be determined with the help of the following diagrams. The diagrams were issued with φ = 1,2 and ϑ = 4.

Program 0210



Program 0215



Calculation Example

Given:
 Total load G = 145 kg
 Span width l = 100 m
 Rope sag h_{perm.} = 2 m = 2%

Calculated values:
 Diagram program 0210: not suitable
 Diagram program 0215: suitable

From diagram program 0215
 - existing rope load: F ≈ 10,5 kN
 - required rope : 020303-10

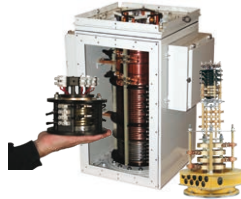
Other Products from Conductix-Wampfler

The products described in this catalog represent a few of the products from the broad spectrum of Conductix-Wampfler components and systems for the transfer of energy, data, gases, and fluids. The solutions we deliver for your applications are based on your specific requirements. In many cases, a combination of several different Conductix-Wampfler products are needed to fill the application. You can count on all of Conductix-Wampfler's business units for hands-on engineering support - coupled with the perfect solution to meet your energy management and control needs.



Motor driven cable reels

Motor driven reels by Conductix-Wampfler are the perfect solution for managing long lengths of heavy cable and hoses in very demanding industrial applications. Monospiral, level wind, and random wind spools.



Slip ring assemblies

Whenever powered machinery needs to rotate 360°, field proven slip ring assemblies by Conductix-Wampfler can flawlessly transfer energy and data. Here, everything revolves around flexibility and reliability.



Conductor bar

Whether they are enclosed conductor rails, expandable single-pole bar systems, or high amperage bar for demanding steel mill use up to 6000 amps. Conductix-Wampfler's conductor bar is the proven solution to reliably move people and material.



Spring driven cable reels

We have 60 years experience and trusted brands such as Insul-8, Wampfler, and IER. We offer small cord reels all the way to large multi-motor units, a wide range of accessories, and hazardous location reels.



Cable Festoon systems

It's hard to imagine Conductix-Wampfler cable trolleys not being used in virtually every industrial application. They are reliable and robust and available in an enormous variety of sizes and models.



Push Button Pendants

Our ergonomic pendants are ideally suited for industrial control applications. They are available in a wide range of configurations for overhead cranes and other machinery.



Radio remote controls

Safe, secure, and reliable radios use the latest in microprocessor technology. Available in several models for overhead crane control and other types of machinery.



Inductive Power Transfer IPT®

The contact-less system for transferring energy and data. For all tasks that depend on high speeds and absolute resistance to wear.



Energy guiding chains

The "Jack of all Trades" when it comes to managing energy and data cables and air and fluid hoses. A wide range of energy guiding chains are available for many industrial applications.



Air hoists and balancers

ENDO Air hoists accurately place delicate loads and continuously vary the speed for precise positioning. They run cool in continuous operations.



Bumpers

Conductix-Wampfler offers a complete range of bumpers for the auto industry, cranes, and heavy machinery. These include rubber, rubber/metal, and cellular types.



Spring balancers and retractors

ENDO spring balancers by Conductix-Wampfler are rugged, reliable high-precision positioning devices that reduce operator fatigue and assist with accurate tool placement.

www.conductix.us

USA / LATIN AMERICA

10102 F Street
Omaha, NE 68127

Customer Support
Phone +1-800-521-4888

Phone +1-402-339-9300
Fax +1-402-339-9627

info.us@conductix.com
latinamerica@conductix.com

CANADA

1435 Norjohn Court
Unit 5
Burlington, ON L7L 0E6

Customer Support
Phone +1-800-667-2487

Phone +1-450-565-9900
Fax +1-450-951-8591

info.ca@conductix.com

MÉXICO

Calle Treviño 983-C
Zona Centro
Apodaca, NL México 66600

Customer Support
Phone (+52 81) 1090 9519
(+52 81) 1090 9025
(+52 81) 1090 9013

Fax (+52 81) 1090 9014

info.mx@conductix.com

BRAZIL

Rua Luiz Pionti, 110
Vila Progresso
Itu, São Paulo, Brasil
CEP: 13313-534

Customer Support
Phone (+55 11) 4813 7330

Fax (+55 11) 4813 7357

info.br@conductix.com

Contact us for our Global Sales Offices

